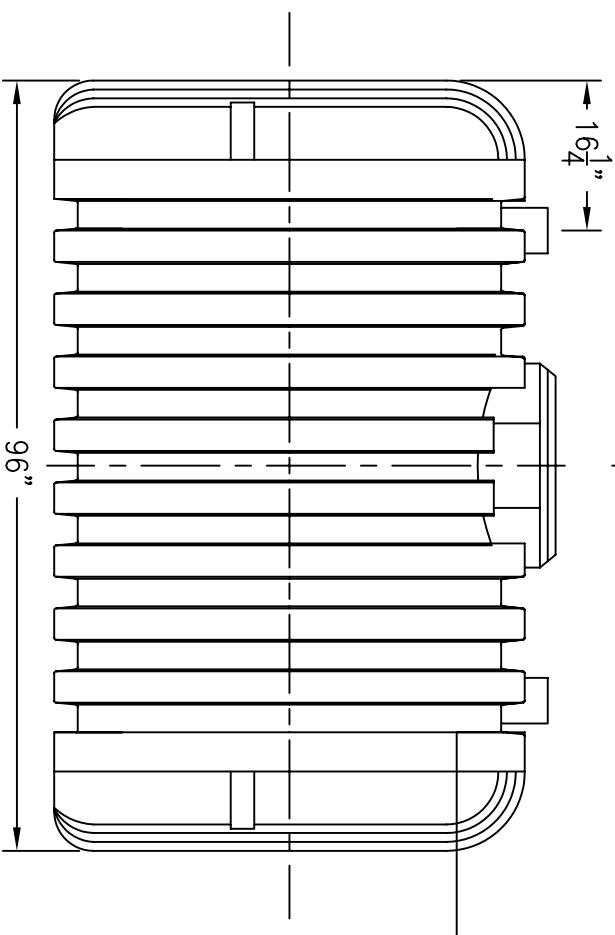
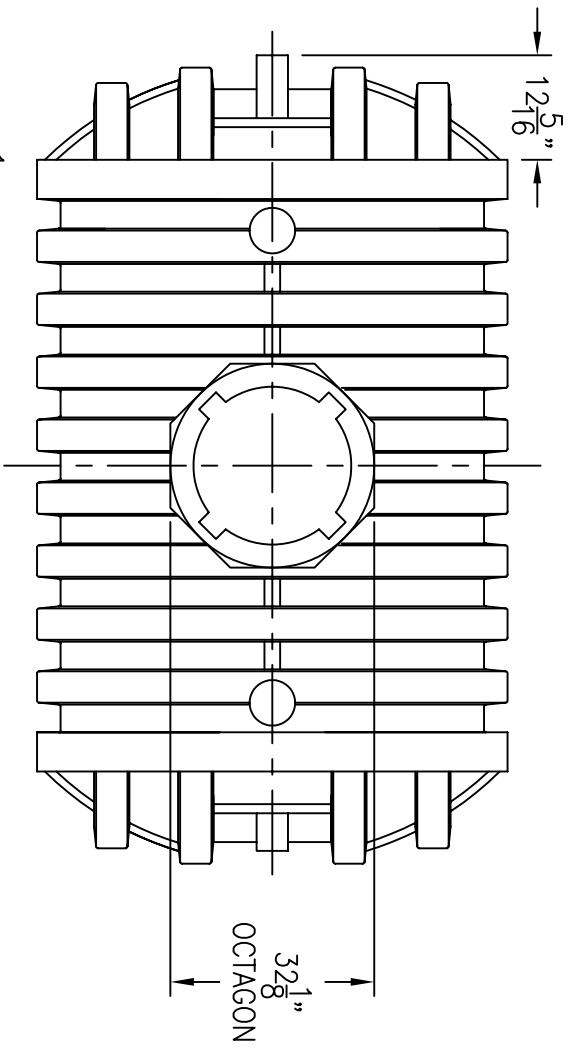
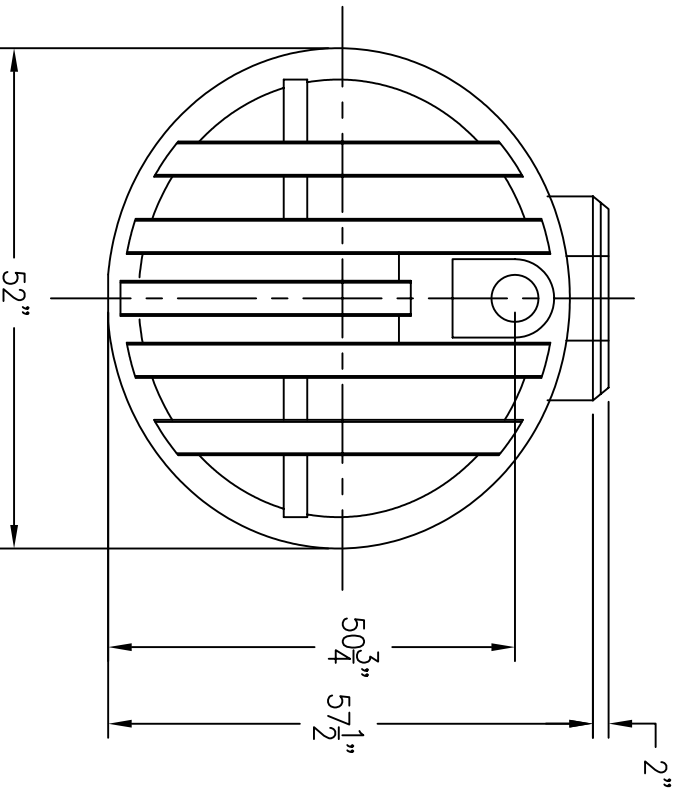


THIS DRAWING & DESIGN IS THE PROPERTY OF CHEM-TAINER INDUSTRIES INC. IT MAY NOT BE USED FOR ANY PURPOSE OTHER THAN BY THE OWNER. CHEM-TAINER DOES NOT AUTHORIZE THE REPRODUCTION OR CONVEYANCE OF ANY INFORMATION CONTAINED THEREIN.



ALL DIMENSIONS SHOWN ARE OUTSIDE PART DIMENSIONS IN INCHES, AND VARY BY THE STANDARD ROTATIONAL MOLDING TOLERANCE OF ±.2%

REV.	DATE	FILE NAME
<b>CHEM-TAINER</b>		
INDUSTRIES INC.		
361 NEPTUNE AVE.		
W. BABYLON N.Y. 11704		
(631) 661-8300		
FAX: (631) 661-8209		
INDUSTRY BY: K.Y.		
CUST. REP.		
DATE: 03/15/02		
MOLD LOCATION		
TITLE: 750 GALLON SEPTIC TANK		
PART #	DWG #	
TN750XST	TN750XST	