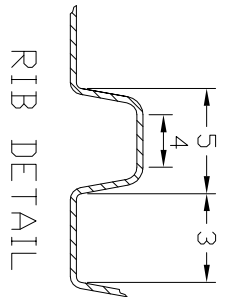
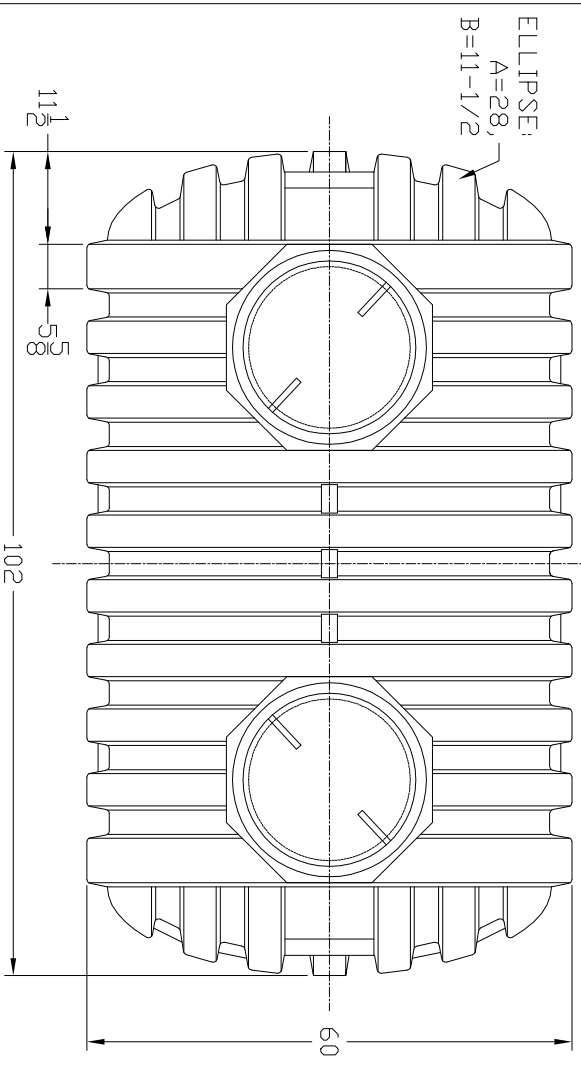
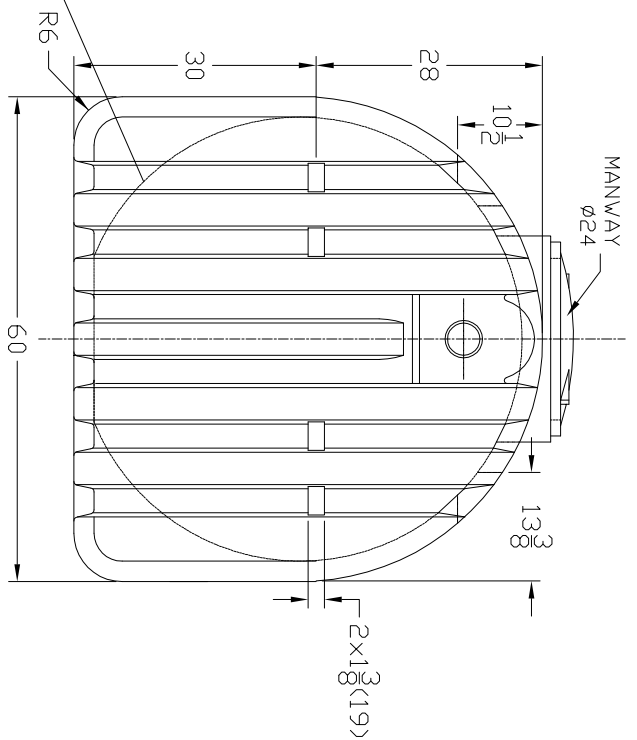


FULL CIRCULAR RIB(S)
AS SHOWN
FAIR AT BPTTP,



THIS DRAWING & DESIGN IS THE PROPERTY OF CHEM-TAINER INDUSTRIES INC. IT MAY NOT BE USED FOR ANY PURPOSE OTHER THAN BY THE OWNER. CHEM-TAINER DOES NOT AUTHORIZE THE REPRODUCTION OR CONVEYANCE OF ANY INFORMATION CONTAINED HEREIN.

ALL DIMENSIONS SHOWN ARE OUTSIDE PART DIMENSIONS IN INCHES, AND VARY BY THE STANDARD ROTATIONAL MOLDING TOLERANCE OF +2/-3%.

Rev. 0	Date 03/01/01	File Name	ST1000-N
CHEM-TAINER		Date	03/01/01
361 Neptune Ave. W. Babylon, NY 11704		Drawn By:	IJA
(631) 661-8300 Fax: (631) 661-8209		Cust. Rep.	
TITLE 1000 GAL. BELOW GROUND SEPTIC TANK			
Part #	Dwg. #		Mold Location
TN1000ST	C-1000-1N		00