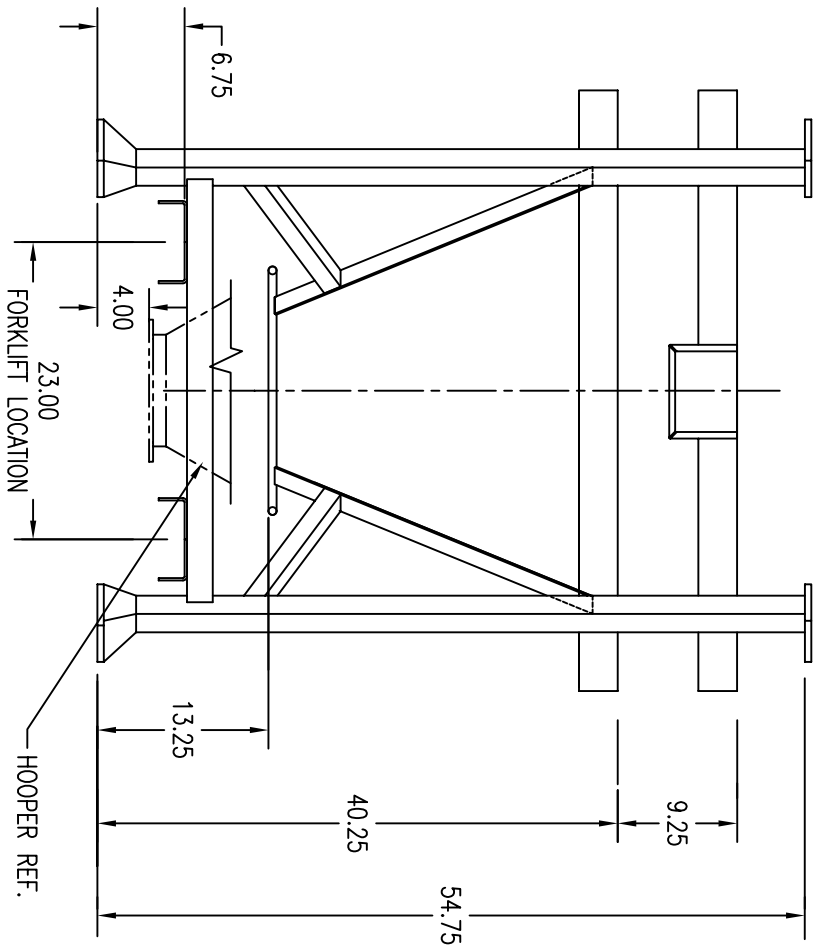


TOP VIEW



MATERIAL: 304 STAINLESS STEEL

Rev.	Date	File Name	SHDW/BIN
CHEM-TAINER			
361 Neptune Ave. N. Babylon, NY 11704 (316) 661-8300		Industries Inc. N. Babylon, NY 11704 Fax: (316) 661-8209	
TITLE	Date	Drawn By	Scale
SS STAND FOR 24 CU. FT. HOPPER	01/08/01	JIM B.	NONE
Part #	Dwg. #	Cust. Rep.	
TC4654PH			